

FIXED/MARINE MOUNTED CRANE

602TM



Max dynamic moment	1544 daNm
--------------------	-----------

Max capacity	1S	1175 kg
	2S	1100 kg

Crane weight	1S	174 kg
	2S	193 kg

Max working pressure	160 bar
Max oil flow to main relief valve	8 dm ³ /min
Oil tank capacity	17.5 dm ³
Winch weight	45 kg
Slewing moment	350 daNm
Slewing angle	335°
Max working heel	3°
Absorbed power	2.2 kW 3.0 HP
Design standard	DIN 15018 EN 12999

PTO Hydraulic crane versions

Distributor Pressure line = 3/8" P valve port - 9/16-18 Jic Fitting mounted
Distributor Tank line = 3/8" T valve port - 3/4-16 Jic Fitting mounted
Tank Suction line = 3/4" Plug mounted
Return Filter line = 3/8" filter port - 3/4-16 Jic Fitting mounted

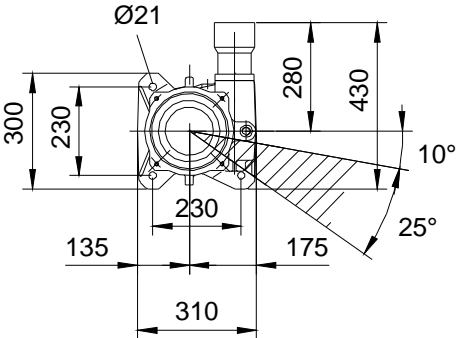
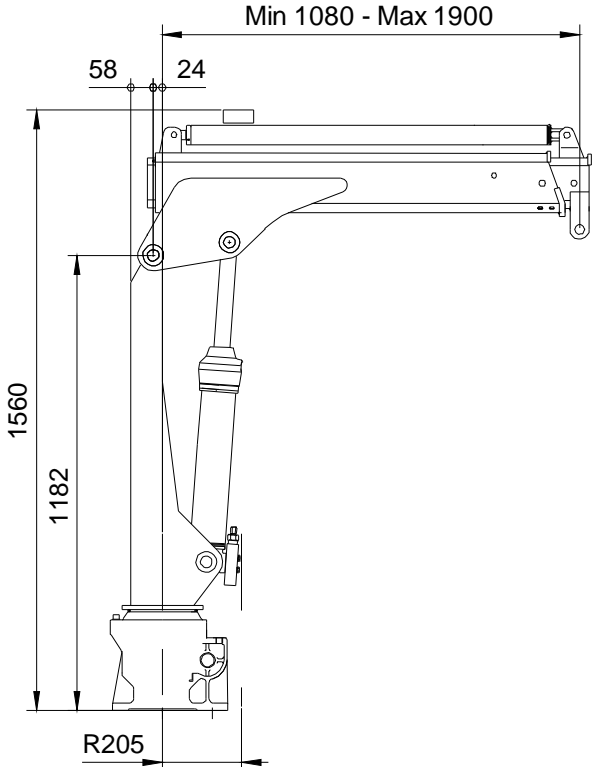
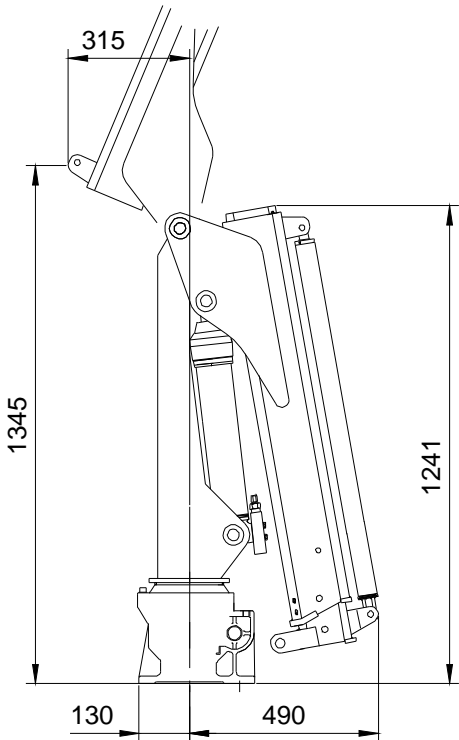
ETR crane versions

Distributor Pressure line = 3/8" P valve port - 9/16-18 Jic Fitting mounted
Distributor Tank line = 3/8" T valve port - 3/4-16 Jic Fitting mounted
Power Pack Pressure line = 1/4" P port - 9/16-18 Jic Fitting mounted
Power Pack Tank line = 1/4" T port - 9/16-18 Jic Fitting mounted



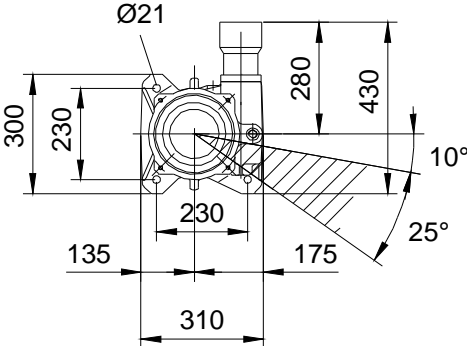
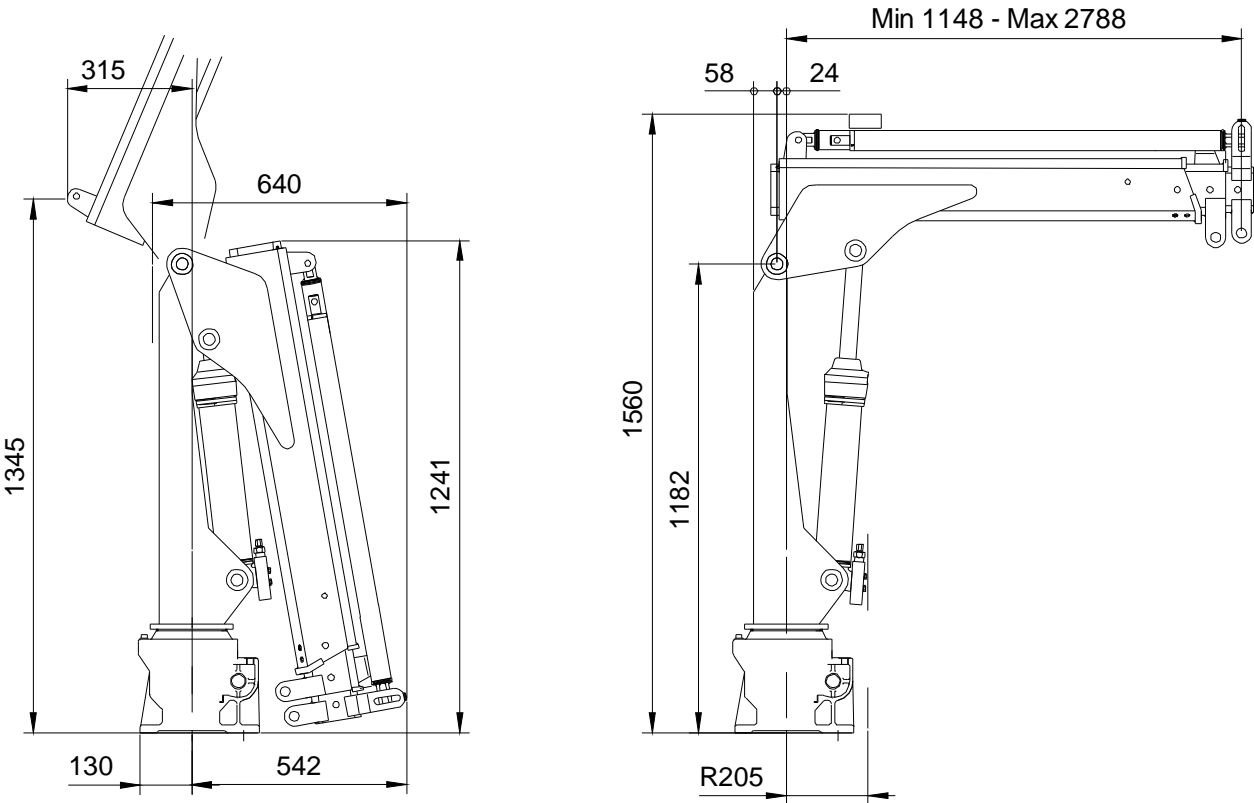
602TM TECHNICAL SHEET

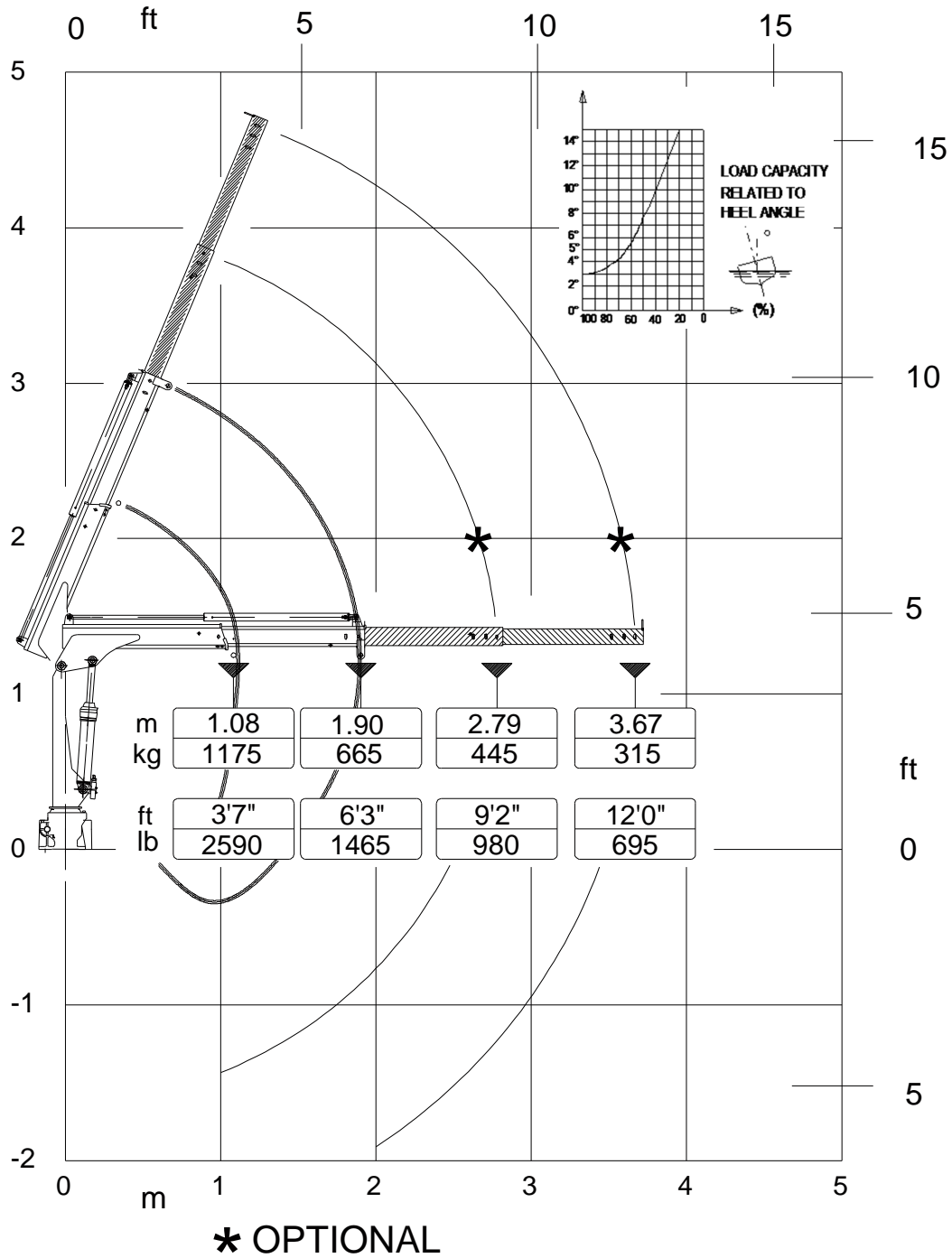
OVERALL DIMENSIONS 1S

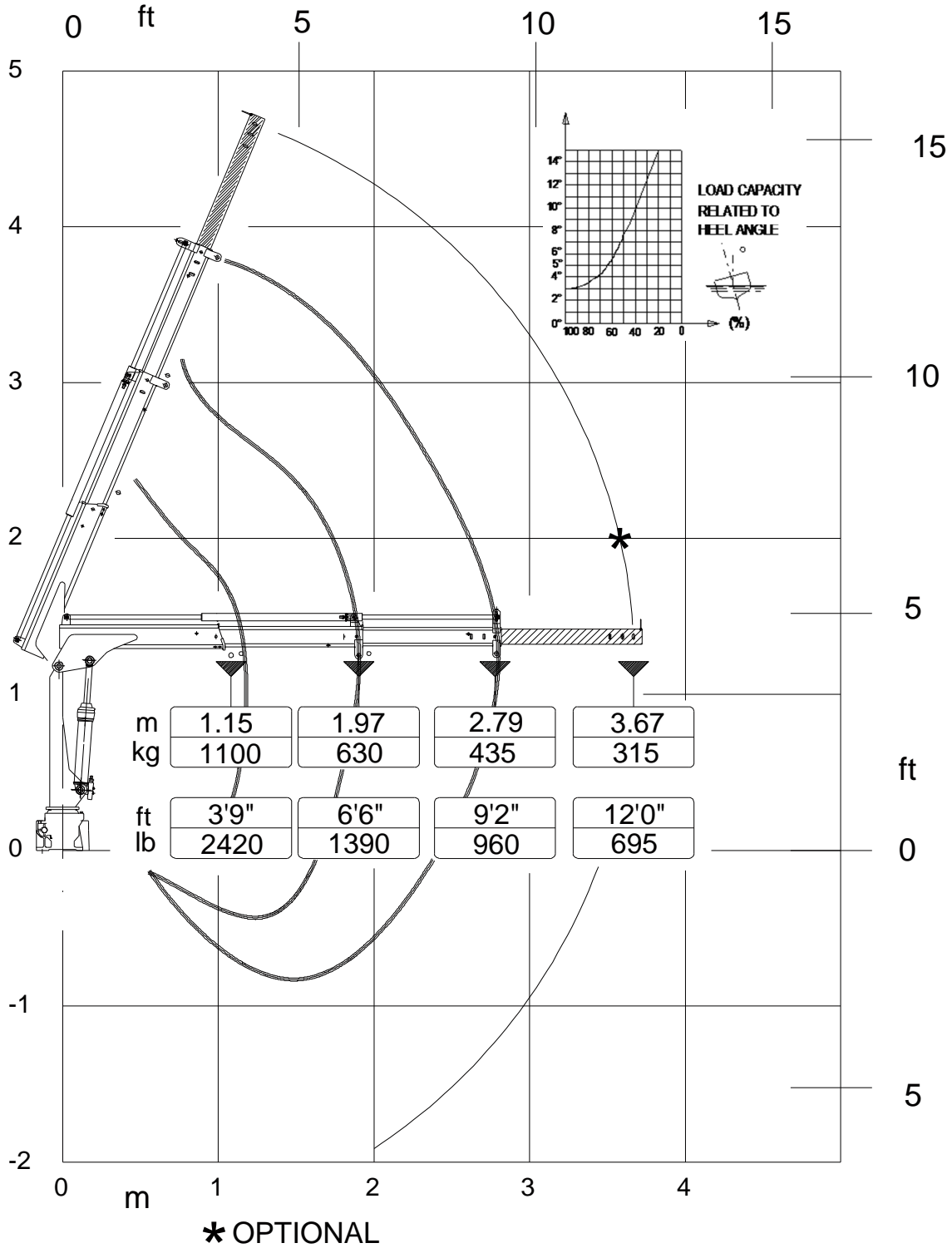


602TM TECHNICAL SHEET

OVERALL DIMENSIONS 2S







602TM TECHNICAL SHEET

CYLINDERS AND PINS DIMENSIONS

LIFTING CYLINDER

<i>Cylinder bore</i>	80
<i>Cyl. ext. diameter</i>	90
<i>Rod diameter</i>	40
<i>Centers (open)</i>	995
<i>Centers (closed)</i>	610
<i>Stroke</i>	385
<i>Artic. pin Ø</i>	30
<i>Pin material</i>	C40 NORM

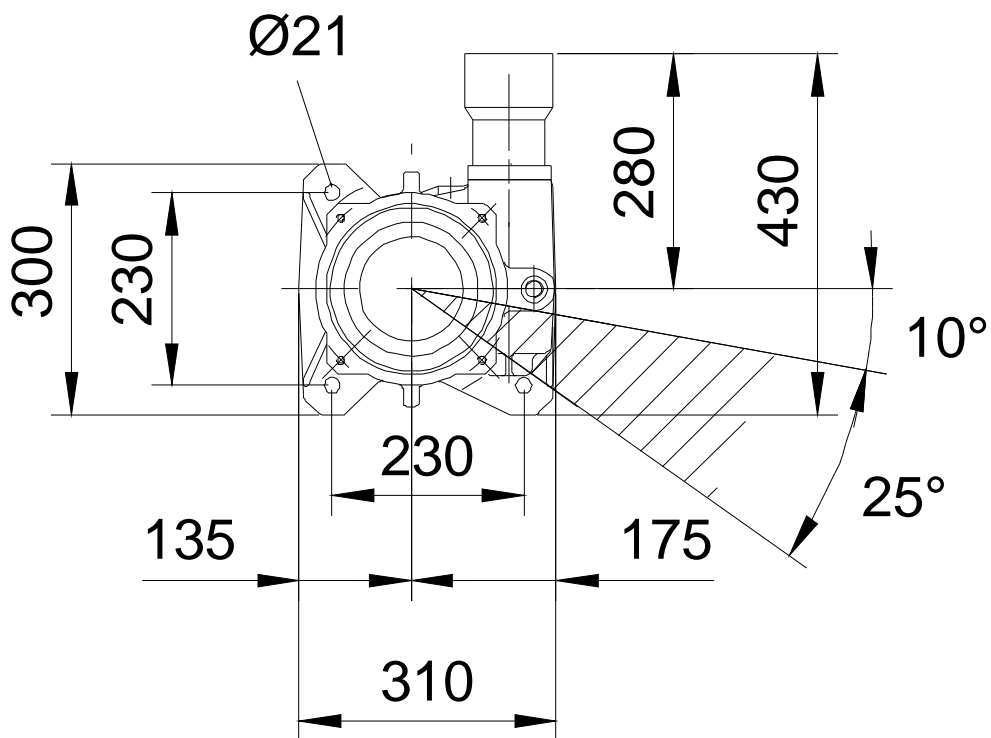
1ST - 2ND EXTENSION CYLINDER

<i>Cylinder bore</i>	40
<i>Cyl. ext. diameter</i>	50
<i>Rod diameter</i>	25
<i>Centers (open)</i>	1840
<i>Centers (closed)</i>	1020
<i>Stroke</i>	820
<i>Artic. pin Ø</i>	15
<i>Pin material</i>	39NiCrMo3 QT



602TM TECHNICAL SHEET

BASE DIMENSIONS TIE MOUNTING RODS

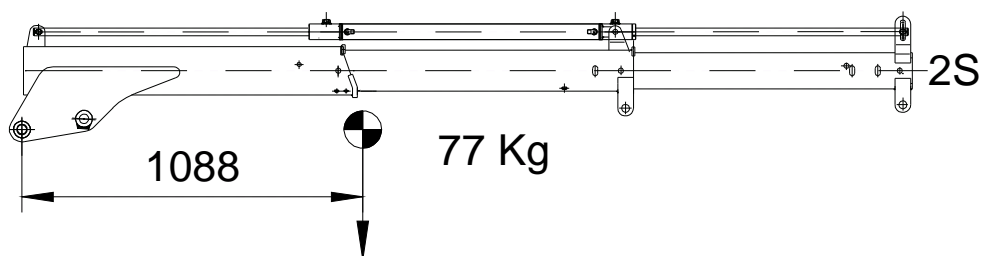
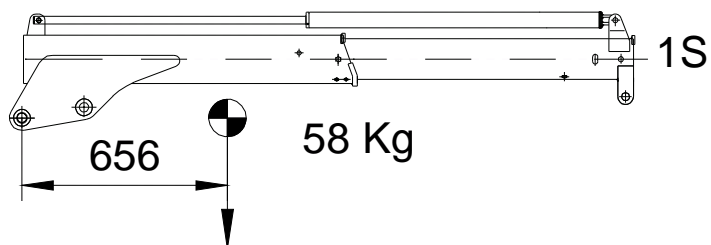


Fixing bolts	N°4 M20x1.5 L=70 10.9 UNI 5931	Tightening torque	240 Nm
--------------	-----------------------------------	-------------------	--------



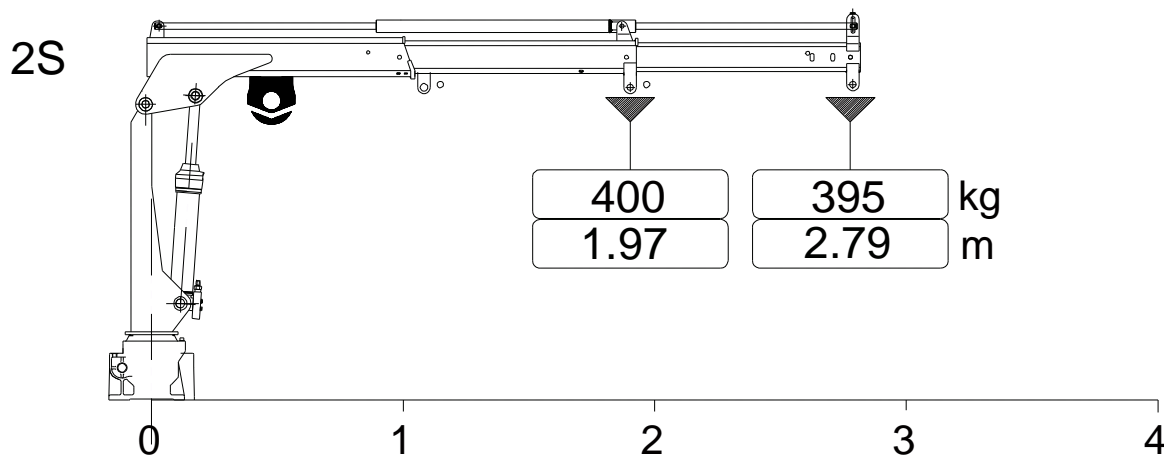
602TM TECHNICAL SHEET

WEIGHTS - CENTERS OF GRAVITY



	Crane only
Fixed parts weight [kg]	116





CRANE 2S

Max winch direct pull [kg]

400

